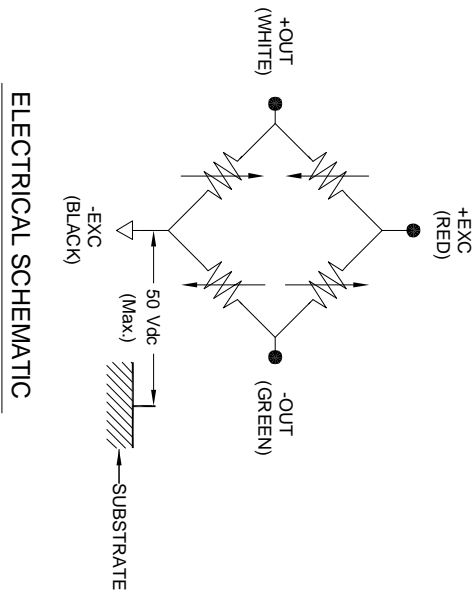
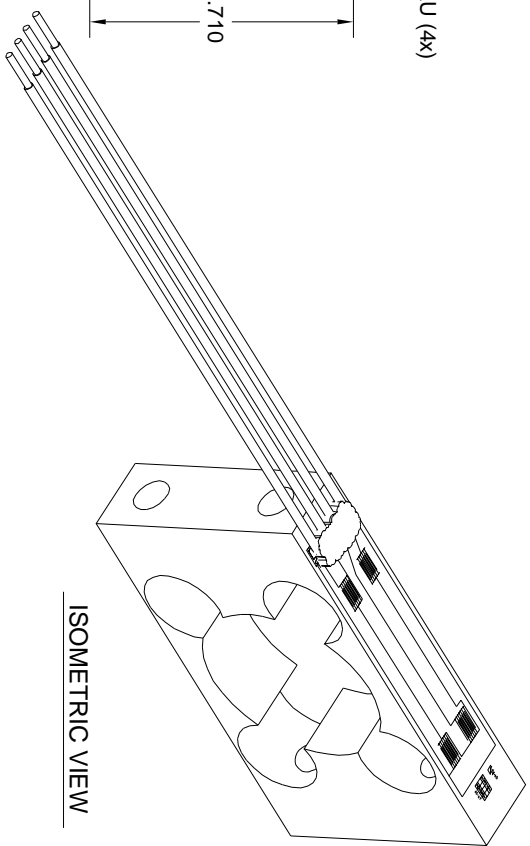
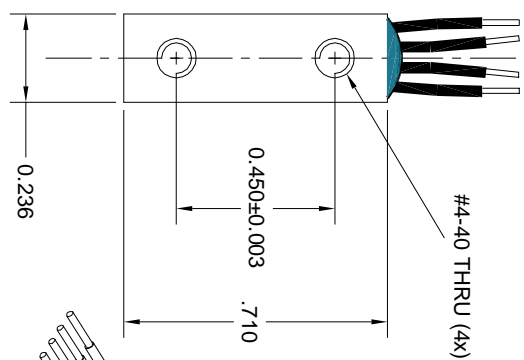
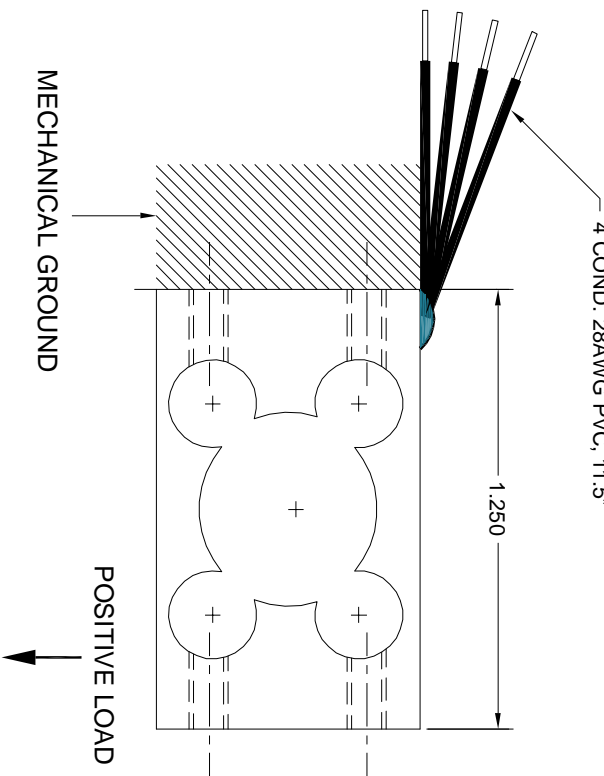


4 COND. 28AWG PVC, 11.5"



RANGE (kg-Force)	MATERIAL	LEAD OUT OPTIONS
0.2	Al	4 WIRE PVC 28AWG
0.6	SS	CABLE 0.130D SHIELDED
1.0	SS	4 WIRE TEFLON 28AWG
2.0	SS	
0.2	SS	
5.0	SS	
10	SS	

PART SCHEME

SMD2387 - (RANGE) - (LEAD OUT)

CAPACITY (kg-force):	0.2, 0.6, 1, 2, 3, 5, 10
OUTPUT (mV/V NOMINAL):	2
EXCITATION (V ac or dc):	5-20
OVERLOAD LIMIT (% OF RANGE):	150 (AT CENTER LOADING POINT)
ULTIMATE OVERLOAD (% OF RANGE):	400 (AT GEN. LOADING POINT WITHOUT STOP)
BRIDGE CONFIGURATION:	FULL BRIDGE, FOUR WIRE CLOSED
BRIDGE RESISTANCE (Ω):	3,000±2%
INSULATION RESISTANCE @ 50Vdc (MΩ):	1,000
NONLINEARITY (% OF SPAN):	0.04
REPEATABILITY (% OF SPAN):	0.02
HYSTERESIS (% OF SPAN):	0.02
CREEP (% OF SPAN):	0.05 (ZERO RETURN AFTER 30 MIN.)
TEMP. EFFECT ON ZERO BALANCE:	<0.03%/C (<0.017%/F)
STANDARD (% OF SPAN):	<0.004°C (<0.0022°F)
OPTIONAL (% OF SPAN):	<0.025%/C (<0.014%/F)
STANDARD (% OF READING):	<0.002°C (<0.0011°F)
OPTIONAL (% OF READING):	<0.004°C (<0.0022°F)
LEAD OPTIONS:	CONTACT FACTORY



UNLESS OTHERWISE SPECIFIED:

X/X = 1/64"	.XXX = ±.005"
X = ±.030"	.XXXX = ±.001"
XX = ±.010"	ANGLES = ±2°
Xmm = ±0.5mm	
X.XXmm = ±0.3mm	
X.XXXmm = ±0.15mm	ANGLES = ±2°

STRAIN MEASUREMENT DEVICES

USA
55 Barnes Park North
Wallingford, CT 06492

Europe
Bury Road, Chedburgh,
Bury St Edmunds IP29 4UQ
England

TITLE: S251 OUTLINE DRAWING

DWG No. SMD2387

DATE: 09/22/00

SCALE: NONE

REV: 6

INCHES