

Model 31140N

- Capacities from 15kg up to 500kg and three platform sizes: 300mm x 300mm, 400mm x 400mm and 600mm x 600mm
- Units: kg
- Plug and weigh – ready to use
- With 47516-C weighing indicator



Multipurpose Square Bench Scale With 47516 Weighing Indicator

The low profile design of the 31140N Series scales make them perfect for dispatch and receiving goods or any other general weighing applications. Easy, 5-button operation and a large display guarantee accurate and unmistakable results. The indicator's column allows you to mount the indicator to the scale base, above the scale platform.

For simple weighing at a favorable cost, the Sensorika 31140N is perfect to choose.

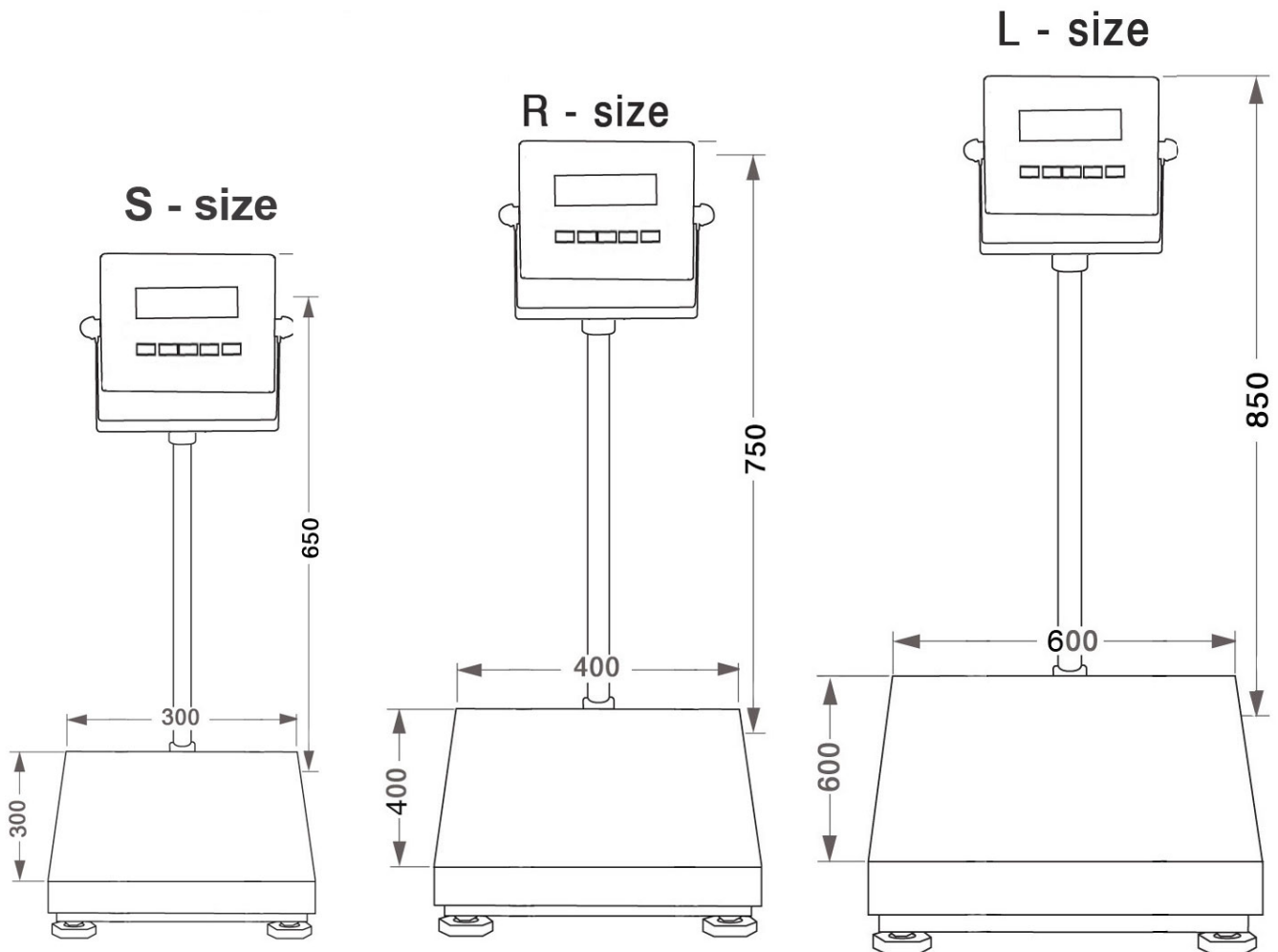
Standard features include:**Scale base:**

- Base sizes: 300mm x 300mm (S), 400mm x 400mm (R) and 600mm x 600mm (L)
- Mild steel welded construction of scale base
- Stainless steel weighing pan
- Stainless steel indicator's column
- Aluminum load cell

Weighing Indicator:

- 25mm high 6 digits LCD display with automatic backlighting.
- ABS enclosure
- Hold function for weigh over size objects.
- Weight accumulation
- RS232 output for PC, printer or remote display connection
- Programmable auto off
- Power requirement: 240VAC and rechargeable battery

External Dimensions:



Technical Features:

Model	31140N-S-15	31140N-S-30	31140N-R-30	31140N-R-60	31140N-R-150	31140N-L-150	31140-L-300	31140N-L-500	
Capacity	15kg	30kg	30kg	60kg	150kg	150kg	300kg	500kg	
Readability	5g	5g	5g	10g	20g	20g	50g	100g	
Calibration weight	To select								
Stabilizing time	2 sec								
Weighing Units	kg								
Outputs	RS232								
Ambient humidity (max.)	85%								
Structure material	Powder coated mild steel								
Weighing pan and column	Stainless steel								
Indicator's enclosure	ABS								
Protection grade	IP40								
Platform size	300mm x 300mm		400mm x 400mm			600mm x 600mm			